

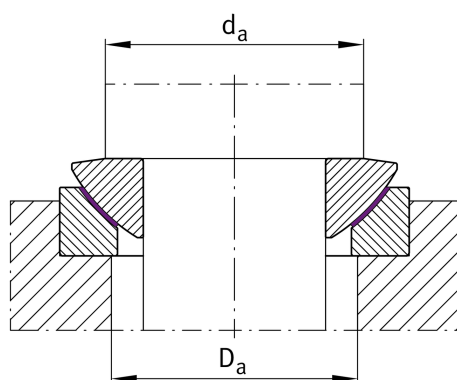
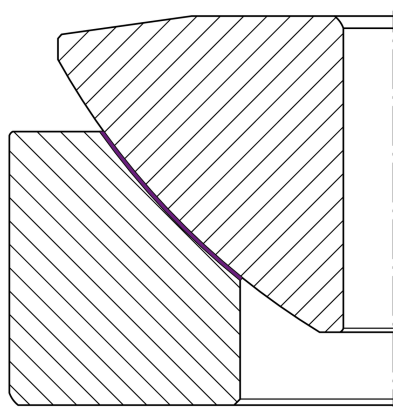
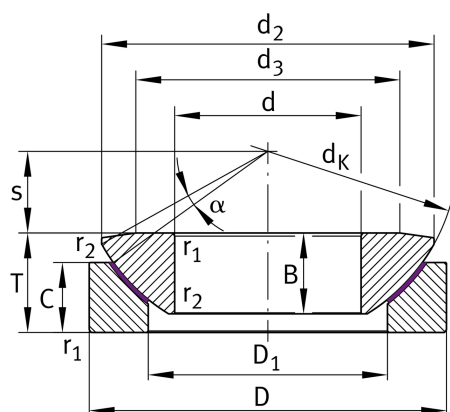
GE12-AW

Spherical plain bearing

Schaeffler ID:
0066681940000

Axial spherical plain bearing, maintenance-free, DIN ISO 12240-3, shaft location washer curved surface with hard chromium coating, open design

Technical information



Main Dimensions & Performance Data

d	12 mm	Bore diameter bearing
D	35 mm	Outside diameter bearing
T	13 mm	Height
B	9.3 mm	Width Inner ring
C _a	97,300 N	Basic dynamic load rating, axial
C _{0a}	162,000 N	Basic static load rating, axial
	72 g	Weight

Dimensions

d _K	37 mm	Ball diameter
d ₂	32 mm	Outer eye diameter
d ₃	24 mm	Front surface diameter of shaft washer
D ₁	19.5 mm	Bore diameter of housing washer
C	9 mm	Width Outer ring
s	8 mm	Plane Surface Spacing
α	9 °	Tilt angle
d _{OT}	0 mm	Bore diameter bearing, upper tolerance
d _{UT}	-0.008 mm	Bore diameter bearing, lower tolerance
D _{OT}	0 mm	Outside diameter, upper tolerance
D _{UT}	-0.011 mm	Outside diameter, lower tolerance
T _{OT}	0 mm	Height, upper tolerance
B _{OT}	0 mm	Width inner ring, upper tolerance
T _{UT}	-0.5 mm	Height, lower tolerance
B _{UT}	-0.24 mm	Width inner ring, lower tolerance
C _{OT}	0 mm	Width outer ring, upper tolerance

Mounting dimensions

$r_{1\text{min}}$	0.6 mm	Edge Spacing
$r_{2\text{min}}$	0.2 mm	Edge Spacing
$d_{a\text{max}}$	24 mm	Connection measure Inner ring
$D_{a\text{min}}$	21.5 mm	Housing Connection Diameter

Temperature range

T_{min}	-50 °C	Operating temperature min.
T_{max}	150 °C	Operating temperature max.